

INSTALLATION

Power input

AC: operational voltage range 85 – 264V (90 – 264V for UL);
47 – 66 Hz; approx. 4VA at 100V
approx. 5VA at 200V
approx. 6VA at 264V

DC: operational voltage range for R: 24V ±10%, R2: 11 – 27V, or P: 85 – 150V (110V ±10% for UL);
ripple 10% p-p max.; approx. 3W

Operating temperature: -5 to +55°C (23 to 131°F)

Operating humidity: 30 to 90% RH (non-condensing)

Mounting: surface or DIN rail

Dimensions: W29.5×H89×D124 mm (1.16"×3.51"×4.88")

See General Spec. Sheet Figure A-1.

Weight: 200 g (0.44 lbs)

Terminal assignment: See General Spec. Sheet Figure B-1.

PERFORMANCE in percentage of span

Accuracy: ±0.1%

Temp. coefficient: ±0.015%/°C (±0.008%/°F)

Response time: ≤0.5 seconds (0 – 90%)

approx. 25 milliseconds with option /K

Line voltage effect: ±0.1% over voltage range

Insulation resistance: ≥100MΩ with 500V DC

Dielectric strength: 2000V AC @1 minute (input to output 1 to output 2 to power to ground)

STANDARDS & APPROVALS

CE conformity: EMC Directive (89/336/EEC)

EMI EN61000-6-4

EMS EN61000-6-2

Low Voltage Directive (73/23/EEC)

EN61010-1

Installation category II

Pollution degree 2

Max. operating voltage 300V

Input or output 1 or output 2 to power

– Reinforced insulation

Input to output 1 to output 2

– Basic insulation

Approval: UL/C-UL nonincendive

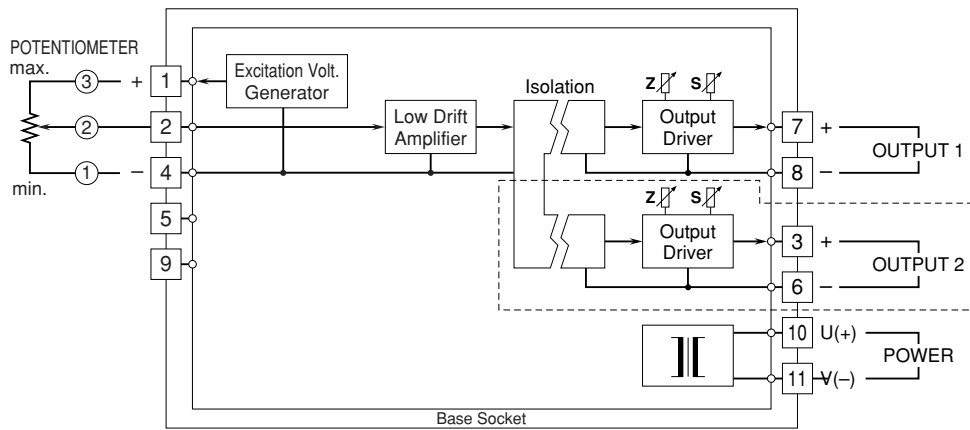
Class I, Division 2, Groups A, B, C, and D

(UL 1604, CAN/CSA-C22.2 No.213)

UL/C-UL general safety requirements

(UL 3111-1, CAN/CSA-C22.2 No.1010-1)

SCHEMATIC CIRCUITRY & CONNECTION DIAGRAM



Remark: The section enclosed by broken line is only with 2nd output option.