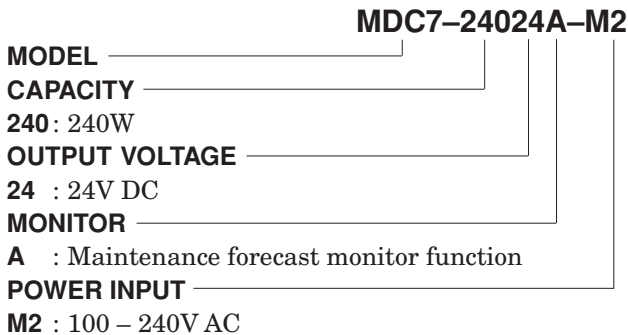


<b>DC POWER SUPPLY</b> (maintenance forecast monitor function)	MODEL <b>MDC7</b>
-------------------------------------------------------------------	-------------------

**MODEL & SUFFIX CODE SELECTION**



**ORDERING INFORMATION**

Specify code number. (e.g. MDC7-24024A-M2)

**GENERAL SPECIFICATIONS**

**Construction:** Front terminal access; terminal cover provided

**Connection:** M4 screw terminals (nickel-plated steel; torque 1.08 N·m)

**Housing material:** Flame-resistant resin (beige); aluminum

**OUTPUT**

■ **SUPPLY OUTPUT**

**Output voltage:** 24V DC -10/+15%; adjustable on the front (ripple 2.0% p-p max.)

**Load current:** ≤10A

**Overload protection:** Voltage drop characteristics (105%)

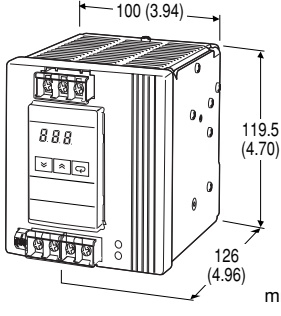
**Overload detecting:** 105% of the rated current





■ **ALARM OUTPUT**

**Transistor:** NPN (sink) type; 30V DC max., 50mA DC max.

**Residual voltage at ON:** ≤2V

**Leakage current at OFF:** ≤0.1mA



**Functions & Features**

- Accepts 100 – 240V AC and provides regulated 24V DC output
- Maintenance forecast monitor function

**INSTALLATION**

**Power input:** Operational voltage range 85 – 264V AC; 50/60 Hz

**Operating temperature:** 0 to 50°C (32 to 122°F)

**Operating humidity:** 25 to 85% RH (non-condensing)

**Mounting:** DIN rail

**Dimensions:** W100×H119.5×D126 mm (3.94"×4.70"×4.96")

**Weight:** 1150 g (2.54 lbs)

**PERFORMANCE**

**Temp.coefficient:** ±0.05%/°C (±0.03%/°F)

**Load effect:** ≤1.5%

**Line voltage effect:** ±0.5% over voltage range

**Insulation resistance:** ≥100MΩ with 500V DC (output to power input or ground)

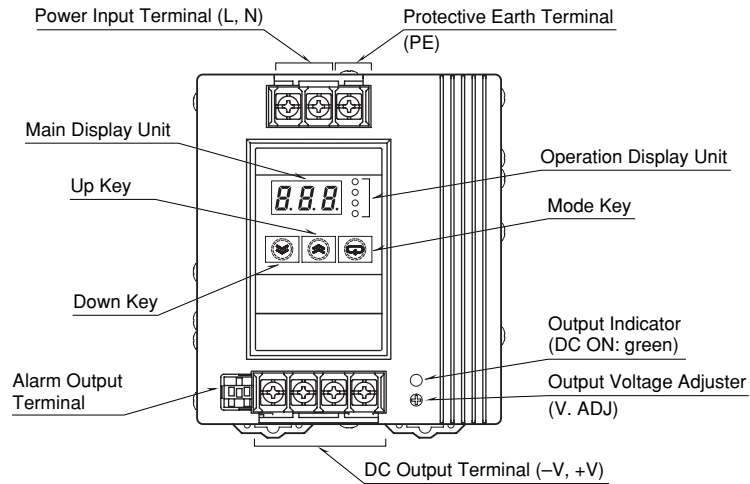
**Dielectric strength:** 3000V AC @1 minute (output to power input)  
2000V AC @1 minute (power input to ground)  
1000V AC @1 minute (output to ground)

**STANDARDS & APPROVALS**

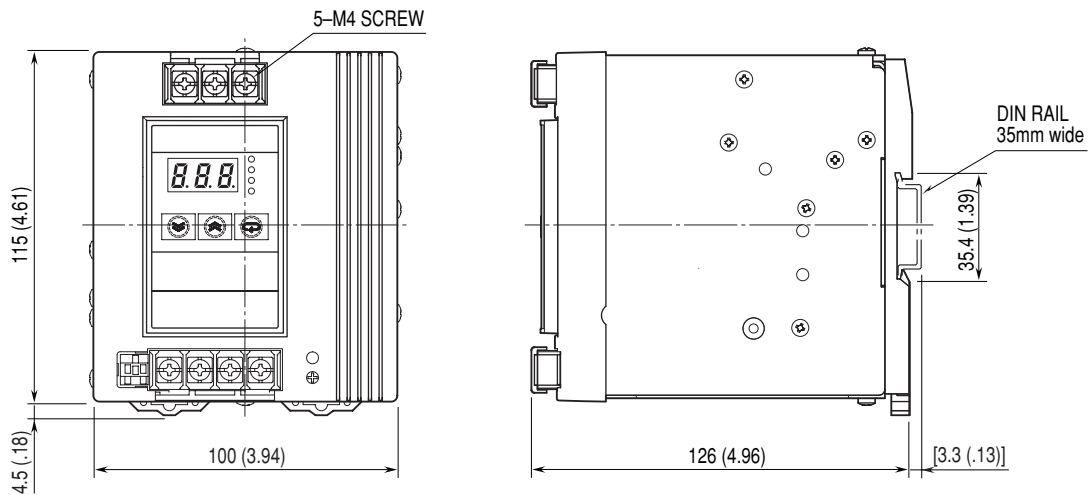
**CE conformity:** EMC Directive (89/336/EEC) EN61204-3 (Class A)  
Low Voltage Directive (73/23/EEC) EN50178 EN60950-1

**Approval:** UL 508 (Class 2: per UL 1310) CAN/CSA C22.2 No.14 UL 60950-1 (Class 2) CAN/CSA C22.2 No.60950-1 VDE1060, VDE0805

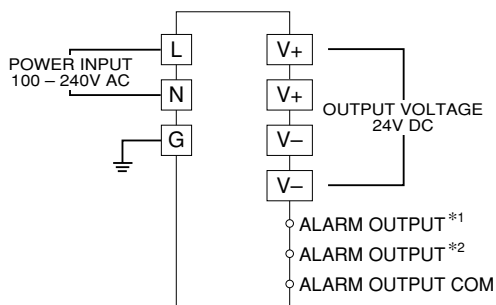
**FRONT PANEL CONFIGURATION**



**EXTERNAL DIMENSIONS & TERMINAL ASSIGNMENT mm (inch)**

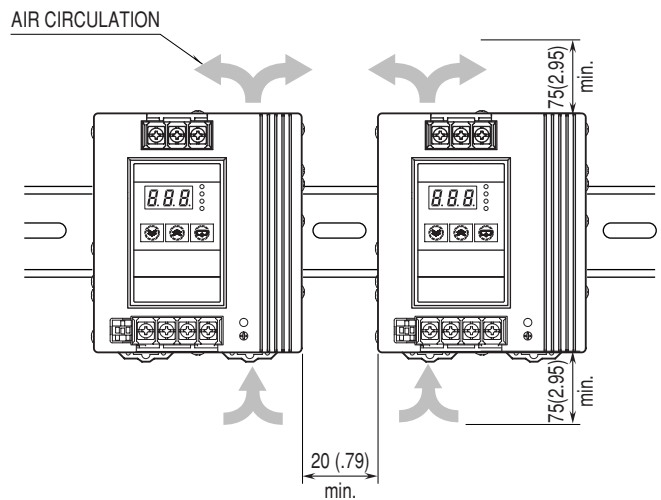


**CONNECTION DIAGRAM**



\*1. Undervoltage alarm output terminal (DC LOW)  
 \*2. Maintenance forecast monitor terminal (Yrs)

**MOUNTING REQUIREMENTS mm (inch)**



Heat dissipation is important to ensure the power supply's long-term reliability. The power supply is designed to radiate heat by means of natural air flow. Install the power supply so that the air flow circulates around it.