

Super-space-saving Signal Conditioners *M3S-UNIT Series*

ISOLATOR

MODEL **M3SYV**

MODEL & SUFFIX CODE SELECTION

M3SYV-□□□

MODEL _____

INPUT _____

Current	Voltage
A : 4 – 20mA DC	4 : 0 – 10V DC
D : 0 – 20mA DC	5 : 0 – 5V DC
DW : -20 – +20mA DC	6 : 1 – 5V DC
	4W : -10 – +10V DC
	5W : -5 – +5V DC

OUTPUT _____

Current	Voltage
A : 4 – 20mA DC	4 : 0 – 10V DC
D : 0 – 20mA DC	6 : 1 – 5V DC
	4W : -10 – +10V DC

POWER INPUT _____

R : 24V DC

ORDERING INFORMATION

Specify code number. (e.g. M3SYV-6A-R)

GENERAL SPECIFICATIONS

Connection: Removable terminal block
Housing material: Flame-resistant resin (grey)
Isolation: Input to output to power
Overrange output: Approx. -10 – +120% at 1 – 5V
Front adjustments: Zero and span; ±2%

INPUT & OUTPUT

■ **INPUT**

- **DC Current:** 4 – 20mA, 0 – 20mA or -20 – +20mA DC; 250Ω input resistor incorporated
- **DC Voltage:** 0 – 10V, 0 – 5V, 1 – 5V, -10 – +10V or -5 – +5V DC

Input resistance: 1MΩ minimum

■ **OUTPUT**

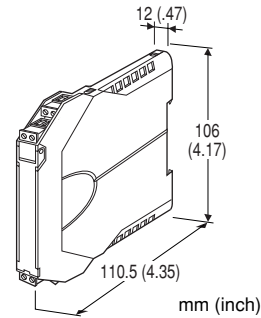
- **DC Current:** 4 – 20mA or 0 – 20mA DC

Load resistance: 750Ω maximum

- **DC Voltage:** 0 – 10V, 1 – 5V or -10 – +10V DC

Load resistance

Output	Load Resistance
0 – 10V	: 10k (Ω minimum)
1 – 5V	: 5000
-10 – +10V	: 10k



Functions & Features

- Galvanically isolates the process instrumentation signals
- High-density mounting
- CE marking

INSTALLATION

Power input: Operational voltage range 24V DC ±10%, 1W; ripple 10% p-p max.
Operating temperature: -10 to +55°C (14 to 131°F)
Operating humidity: 30 to 90% RH (non-condensing)
Mounting: DIN rail
Dimensions: W12×H106×D110.5 mm (0.47"×4.17"×4.35")
Weight: 100 g (0.22 lbs)

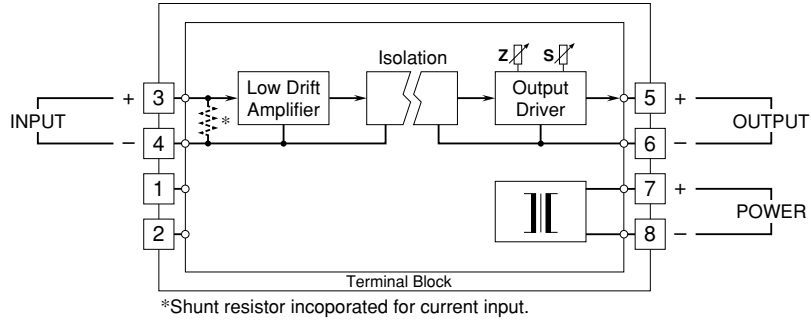
PERFORMANCE

Accuracy: ±0.1%
Temp. coefficient: ±0.015%/°C (±0.008%/°F)
Response time: ≤0.5 seconds (0 – 90%)
Line voltage effect: ±0.1% over voltage range
Insulation resistance: ≥100MΩ with 500V DC
Dielectric strength: 2000V AC @1 minute (input to output to power to ground)

STANDARDS & APPROVALS

CE conformity: EMC Directive (89/336/EEC)
 EMI EN61000-6-4
 EMS EN61000-6-2

SCHEMATIC CIRCUITRY & CONNECTION DIAGRAM



EXTERNAL DIMENSIONS & TERMINAL ASSIGNMENTS mm (inch)

