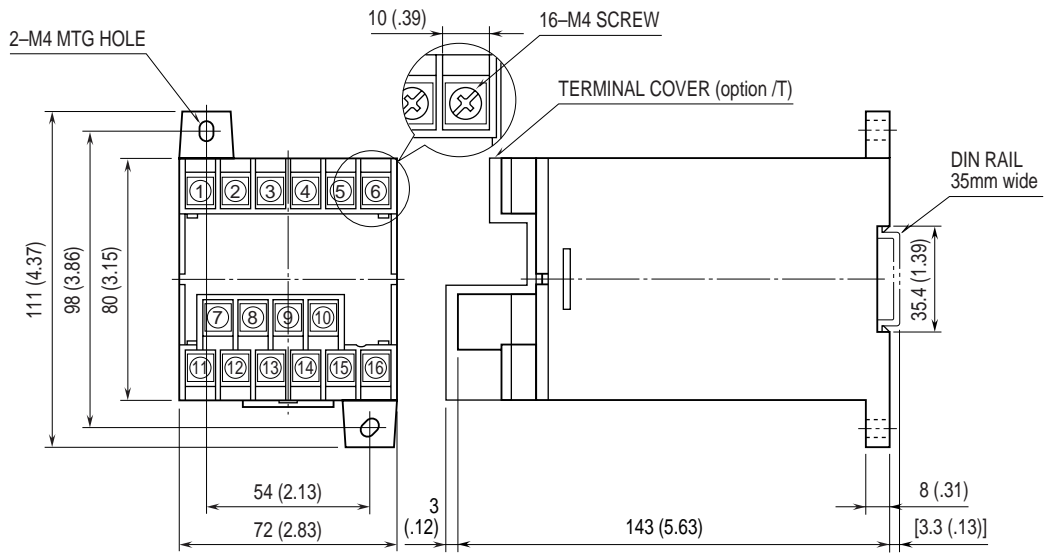


DRAWINGS mm (inch)

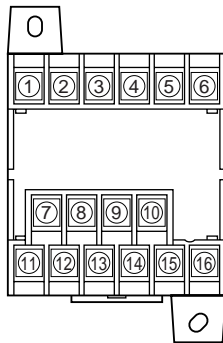
■ **DIMENSIONS**



•When mounting, no extra space is needed between units.

(Fig. C-1)

■ **TERMINAL ASSIGNMENT**



(Fig. D-1)