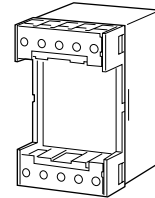


Lightning Surge Protectors for Electronics Equipment *M-RESTER***LIGHTNING SURGE PROTECTOR FOR
SIGNAL LINE WITH EXCITATION USE**MODEL **MDK-LV****MODEL & SUFFIX CODE SELECTION****MDK-LV**

MODEL _____

**Functions & Features**

- Designed specifically for level sensors, pressure sensors and their converters/transmitters
- Excitation up to 30V DC
- Voltage signals up to 10V DC
- Absorbing surges only without affecting instrumentation signal
- Shallow depth
- DIN rail mounting

ORDERING INFORMATION

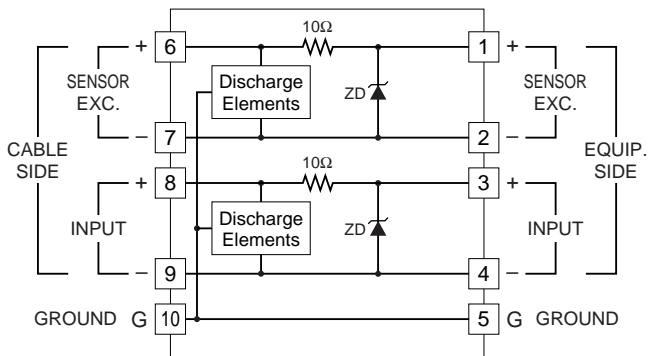
Specify code number. (e.g. MDK-LV)

GENERAL SPECIFICATIONS**Construction:** discrete box, front terminals; terminal cover provided**Connection:** M3.5 screw terminals (nickel-plated steel; torque ≤ 0.8 N·m)**Housing material:** flame-resistance resin (black)**INSTALLATION****Operating temperature:** -5 to +55°C (23 to 131°F)**Operating humidity:** 30 to 90% RH (non-condensing)**Mounting:** DIN rail**Dimensions:** W50×H80×D50 mm (1.97"×3.15"×1.97")**Weight:** 150 g (0.33 lbs)**PERFORMANCE****Discharge voltage****Excitation side:** 30V min.**Signal side:** 10V min.**Line to ground:** ± 290 V min.**Maximum surge voltage*****Excitation side:** 40V max.**Signal side:** 20V max.**Line to ground:** ± 650 V max.

*The maximum voltage that could pass through M-RESTER. Protected equipment must be able to withstand this voltage for very short time period.

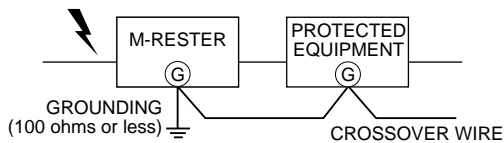
Response time: ≤ 0.1 microseconds**Discharge current capacity:** 5000A (8 / 20 μ sec.)**Maximum load current:** 100mA**Internal series resistance:** $10\Omega \pm 5\%$ **Leakage current****Excitation side:** $\leq 10\mu$ A at 30V DC**Signal side:** $\leq 10\mu$ A at 10V DC**Line to ground:** $\leq 10\mu$ A at ± 290 V DC**Maximum line voltage****Excitation side:** 30V**Signal side:** 10V

SCHEMATIC CIRCUITRY

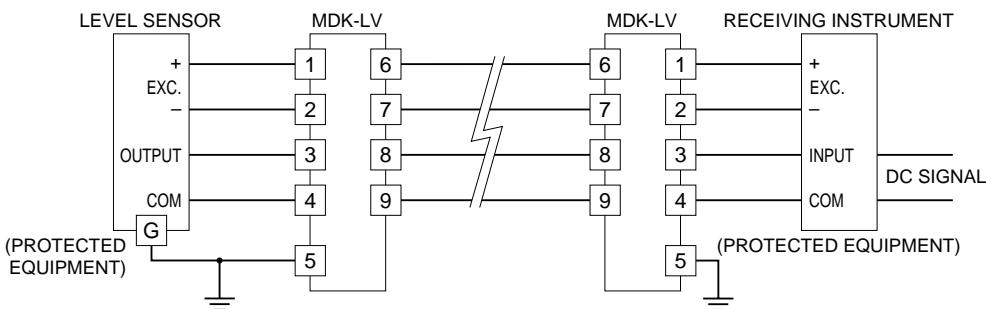


GROUNDING

A crossover wire between M-RESTER ground and ground or metallic housing of equipment is required for protection.

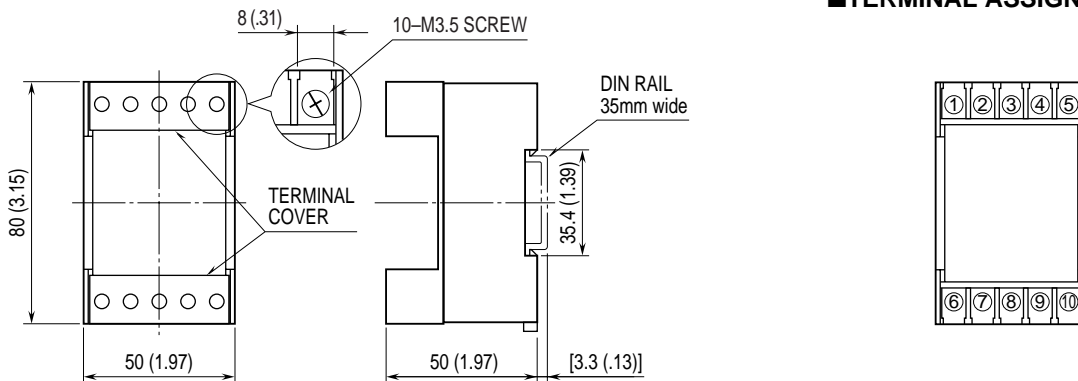


CONNECTION DIAGRAM



EXTERNAL DIMENSIONS & TERMINAL ASSIGNMENT mm (inch)

TERMINAL ASSIGNMENT



•When mounting, no extra space is needed between units.