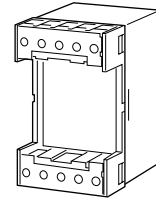


Lightning Surge Protectors for Electronics Equipment *M-RESTER***LIGHTNING SURGE PROTECTOR FOR STRAIN GAUGE USE**MODEL **MDK-LC****MODEL & SUFFIX CODE SELECTION**MODEL _____ **MDK-LC****Functions & Features**

- Designed to protect strain gauge transmitters from lightning surge damage that enters on the wiring between the strain gauge and the transmitter
- Absorbing surges only without affecting instrumentation signal
- Shallow depth
- DIN rail mounting

ORDERING INFORMATION

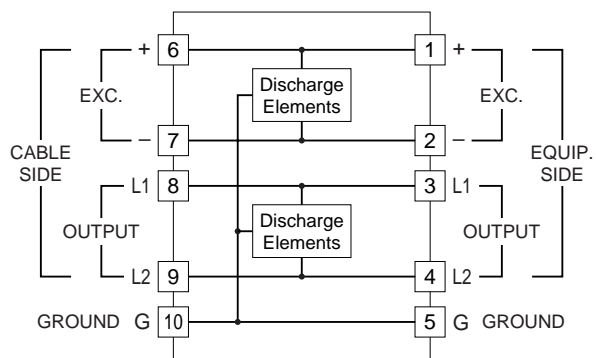
Specify code number. (e.g. MDK-LC)

GENERAL SPECIFICATIONS**Construction:** discrete box, front terminals; terminal cover provided**Connection:** M3.5 screw terminals (nickel-plated steel; torque ≤ 0.8 N·m)**Housing material:** flame-resistance resin (black)**INSTALLATION****Operating temperature:** -5 to +55°C (23 to 131°F)**Operating humidity:** 30 to 90% RH (non-condensing)**Mounting:** DIN rail**Dimensions:** W50×H80×D50 mm (1.97"×3.15"×1.97")**Weight:** 150 g (0.33 lbs)**PERFORMANCE****Discharge voltage****Output side:** ± 0.3 V min.**Excitation side:** 15V min.**Line to ground:** ± 15 V min.**Maximum surge voltage*****Output side:** ± 15 V max.**Excitation side:** 30V max.**Line to ground:** ± 30 V max.

*The maximum voltage that could pass through M-RESTER. Protected equipment must be able to withstand this voltage for very short time period.

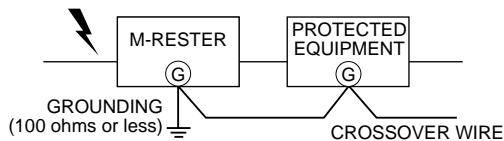
Response time: ≤ 5 nanoseconds**Discharge current capacity****Output side:** 100A (8 / 20 μ sec.)**Excitation side:** 50A (8 / 20 μ sec.)**Line to ground:** 50A (8 / 20 μ sec.)**Internal series resistance:** $\leq 0.1\Omega$ **Leakage current****Output side:** $\leq 0.2\mu$ A at ± 0.3 V DC**Excitation side:** $\leq 2\mu$ A at 15V DC**Line to ground:** $\leq 2\mu$ A at ± 15 V DC**Maximum line voltage****Output side:** ± 0.3 V**Excitation side:** 15V

SCHEMATIC CIRCUITRY

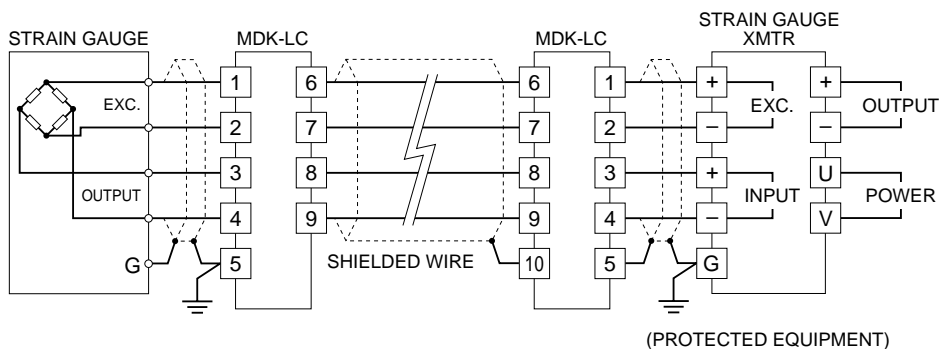


GROUNDING

A crossover wire between M-RESTER ground and ground or metallic housing of equipment is required for protection.

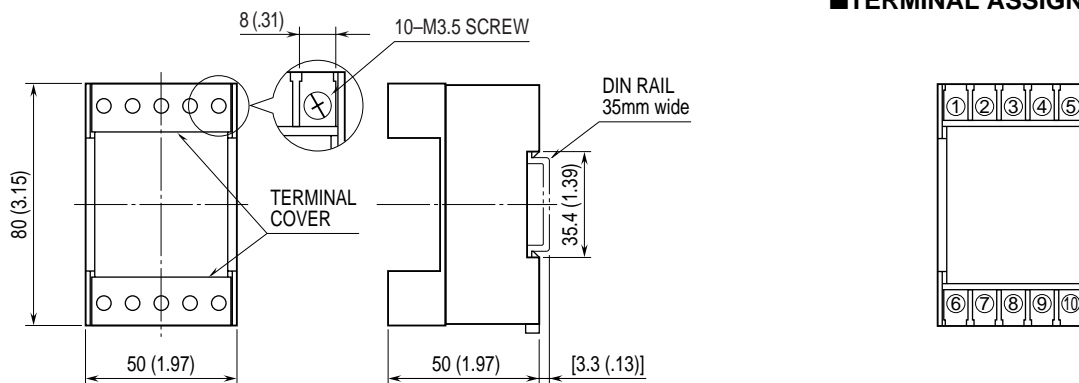


CONNECTION DIAGRAM



EXTERNAL DIMENSIONS & TERMINAL ASSIGNMENT mm (inch)

■ TERMINAL ASSIGNMENT



•When mounting, no extra space is needed between units.