

## **RUGGED FULLY SEALED INDUSTRIAL TOUCH COMPUTER**



Rugged, High-performance Touch Computer.

The ET4255HL Industrial Computer delivers ruggedness and the flexibility of a touchscreen in the most demanding of environments. The ET4255HL Industrial Computer uses a touchscreen which combines exceptional durability with high precision, optical clarity, and brightness. Near Field Imaging (NFI) touch screens can be operated with a bare finger or gloved hand and can withstand severe abuse, abrasions, chemicals, shock, and vibration in wide variations of temperature and humidity.

Offered with the unit is a 15 inch colour TFT display, HDD, 3 x LAN, 2 x USB, 2 x Serial Ports (one required for touchscreen and one required for On Screen Display Control where used) and 1 full length PCI slot for expansion.

Options such as DC power supply, solid state drives and Compact Flash slot help increase this industrial computer's utility into many environments.

The critical internal components are shock/vibration isolated allowing application to production machinery.

## **FEATURES**

- Class 1 , Division 2 certification.
- Sealed to NEMA 4/IP66.
- Mobile Pentium IV, Intel Processor up to 3.06GHz.
- Models with 1 full length PCI slot.
- 15" TFT LCD display offers a +/- 60 degree viewing angle.
- Virtual Keyboard and On Screen Display Control via the touchscreen.
- Touchscreen protected by laminated glass giving exceptional touch durability and flexibility. The touch screen can be operated with gloves and maintains touch accuracy in extreme temperature and humidity variations.
- Excellent shock and vibration characteristics.



**Enlaircon Pty Ltd**

*"Technology To Support The Spirit"*

Phone: 02 6227 3150 Fax: 02 6227 3255

PO Box 814 Yass NSW 2582

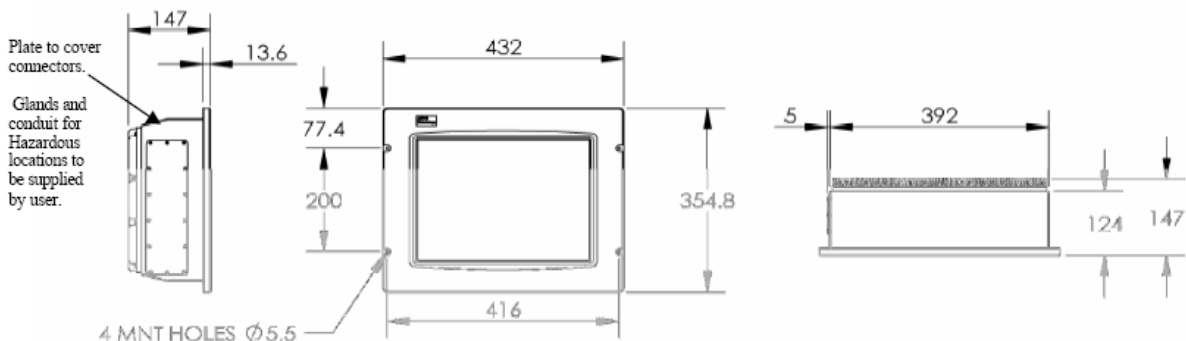
[www.enlaircon.com.au](http://www.enlaircon.com.au)

"ET4255HL - a Hazardous Location Computer for Rugged Conditions"

## GENERAL SPECIFICATIONS

<b>DISPLAY:</b>	15" Color TFT, max resolution 1024x768, 16.7 million colors, 230 cd/m <sup>2</sup> brightness, active area 304mm x 228mm.
<b>TOUCH SCREEN:</b>	Near Field Imaging™ touchscreen supplied as standard.
<b>COMPUTER:</b>	Intel Mobile Pentium IV 2.4 GHz processor (minimum), RAM 256Mb standard (upgrade to 2Gb), Embedded Industrial Motherboard with Intel 845 Chipset, 20Gb HDD with shock mounts (base), Solid State Drive as an option.
<b>OPERATING SYSTEM:</b>	Windows 2000/Windows NT/Windows XP optional.
<b>INTERFACES:</b>	1 PCI slot, 2 USB ports, 2 Serial ports (1 used by touch screen and 1 by On Screen Display control where used), 3 x 10/100 Base T Ethernet, PS/2 key board and mouse ports.
<b>POWER:</b>	AC power supply, input range 90 to 264 VAC auto-ranging , Frequency 47 to 63Hz, Output power 200 Watts DC power supply, input range 19-32 VDC , Output power 200 Watts optional.
<b>COOLING:</b>	Heatsink.
<b>ENVIRONMENT:</b>	
Operating Shock:	20G, 11mS pulse.
Operating Vibration:	5 - 500Hz, 1G acceleration.
Operating Temperature:	0 to 55°C. (32° - 131°F)
Storage Temperature:	-20 to 60°C. (-4° - 140°F)
Humidity:	95%RH, non-condensing.
<b>ENCLOSURE:</b>	
Enclosure:	Zinc plated and powder coated steel.
Bezel:	Standard - Aluminum. Stainless steel face plate available as an option.
Weight:	17.5Kgs.
Mounting:	Panel mount and VESA mount
<b>CERTIFICATIONS:</b>	
Hazardous Location:	Class 1, Zone 2 IECEx, IEC 60079-0, IEC 60079-11
Environmental:	NEMA 4, IP66.
Safety:	CE.
Emissions:	FCC CFR 47, PART 15, Class A C-Tick-Australia, New Zealand. EMC directive 89/336/EEC
<b>OPTIONS:</b>	Stainless steel faceplate, Touch surround keyboard.

## DIMENSIONS



**Due to continuing developments, specifications are subject to change without notice.**  
No Liability is accepted for errors and omissions.