

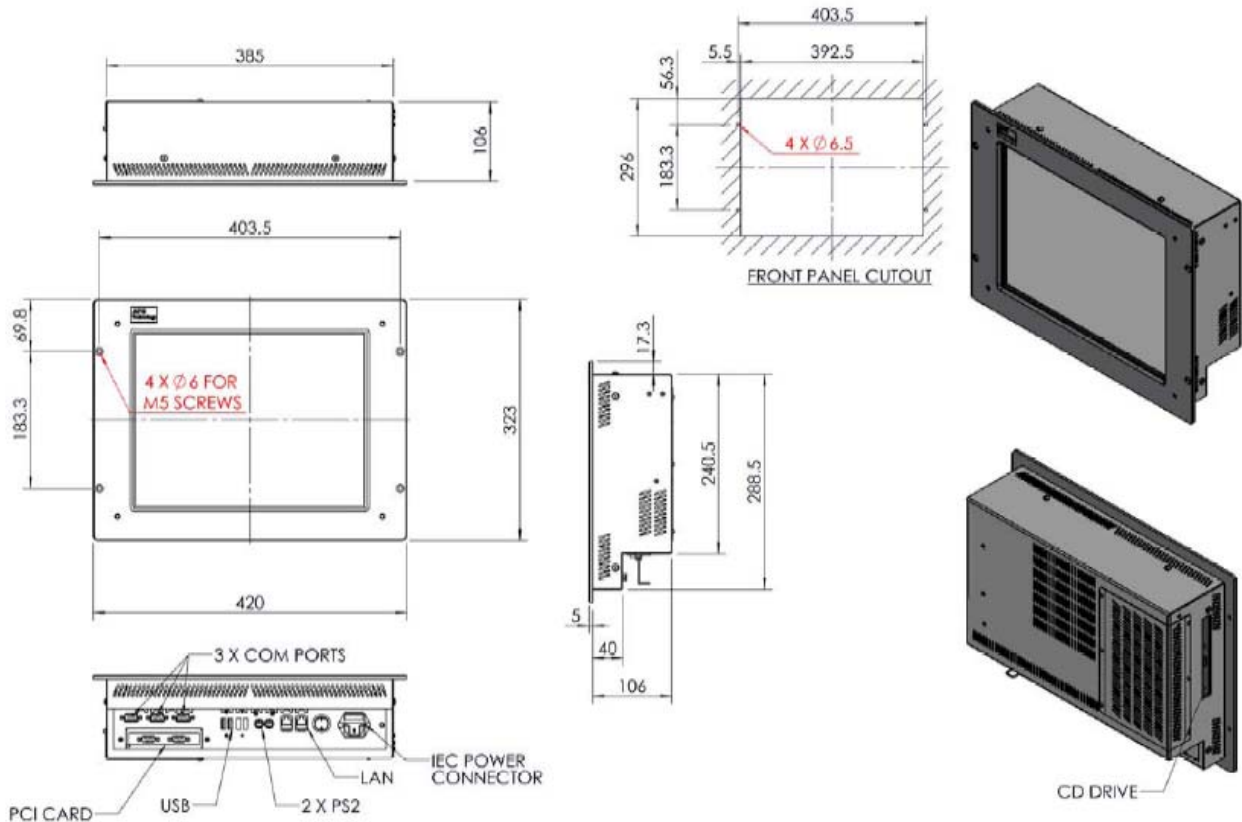


15" Panel PC with Resistive Touch Screen

FEATURES

AUSTRALIAN MADE
STEEL/ALUMINIUM CONSTRUCTION
SLIMLINE DESIGN
15" LCD DISPLAY
CD-ROM
1 X PCI SLOT
WINDOWS, LINUX, SOLARIS SUPPORT
RESISTIVE TOUCH SCREEN

The CT3250 Industrial Panel PC is designed for cost conscious system integrators and end users. The CT3250 still maintains a high level of durability and reliability that you would expect from an industrial rated Panel PC.



PC SPECIFICATIONS

Construction	Aluminum enclosure
CPU	Pentium III 1GHz
Memory	256Mb
Hard Disk	40GB 2.5"
I/O	3 x Serial ports (1 RS232/422/485). PS/2 Keyboard/mouse ports. 1 x LAN port. 2 x USB ports

TFT Specification:

Display size:	15 inches
Maximum resolution:	1024 x 768 XGA
Type:	Colour Active Matrix
Colour depth:	6 bit 262, 144
Contrast ratio (typical):	400:1
Viewing angle (typical):	H + 60°, V + 40°
Response time:	16ms max
Backlights:	Two cartridges
Backlight life (typical):	50,000 hours
Brightness (typical):	350 cd/m2
Physical Dimensions:	
Unit dimensions:	420(W) x 111(D) x 323(H) mm
Gross Weight:	8.4kg

Power supply:

Power:	Standard connector
Input range:	110 to 240 VAC, 47 to 63Hz, 85 W max. DC option available.

Typical Power Consumption:	Operating: 40W, Peak: 70W
----------------------------	---------------------------

ENVIRONMENTAL SPECIFICATIONS

Operating Temp	0°C to +50°C
Storage Temp	0°C to +60°C
Vibration	5 - 500Hz, 0.1G acceleration
Shock	15G, 11ms Half Sine
Humidity	5-95% non condensing

Input:

Video Connector:	Analog RGB Sync on green
------------------	--------------------------

Construction:

Sealing:	IP65 at faceplate
Enclosure:	Steel / Aluminium

Options:

Stainless Steel face plate
Compact Flash solid state memory.
Options of Windows 2000 or Windows XP.

**Due to continuing developments, specifications are subject to change without notice.
No Liability is accepted for errors and omissions.**